



CALWEST RAIN



Big Gun Sprinkler Cart

Affordable and Portable

Applications

- Irrigation
- Dust control
- Pastures
- Riding arenas
- Sporting fields
- Construction pre-wet
- Water dispersal

Features

- Durable steel construction
- High performance Komet sprinkler
- Easy to move and transport
- Inlet: 3" FPT
- Manufactured in U.S.A.

Cal-West Rain, Inc.

20935 Stockdale Highway, Bakersfield, CA 93314
Tel: 661-589-8800 • www.calwestrain.com

Komet 24° Sprinkler

KOMET TWIN 101 ULTRA

NOZZLE RANGE

17 nozzles
Ø 12.0 - 28.0 mm
Ø 0.47" - 1.10"

FLOW RANGE

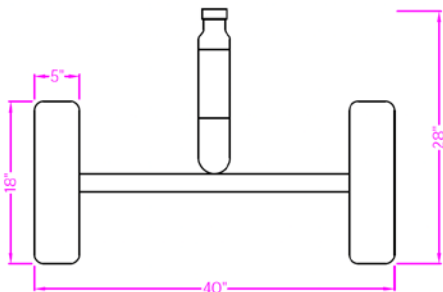
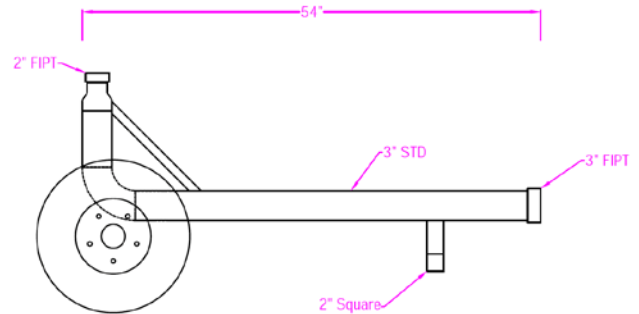
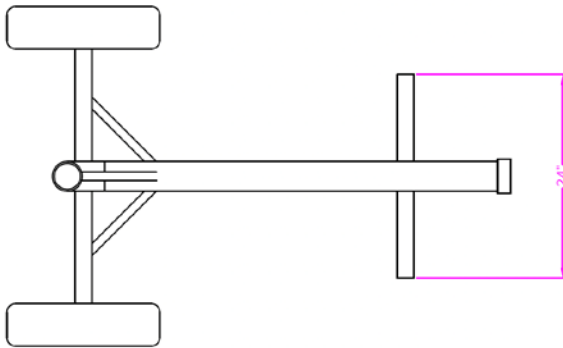
7.8 - 79.2 m³/h
35 - 363 gpm

THROW RANGE

Ø 24.2 - 60.6 m
Ø 161 - 404 ft



Dimensions w/o Sprinkler



Shipping Dimensions

- 48" W x 48" L x 50" H

Shipping Weight w/ Sprinkler

- 150 lbs.

Warranty

- One-year warranty covers defective materials and workmanship



Cal-West Rain, Inc.
20935 Stockdale Highway, Bakersfield, CA 93314
Tel: 661-589-8800 • www.calwestrain.com

Version: 10/4/24

Sprinkler Performance

komet TWIN 101/ULTRA		US UNITS												High Performance Nozzles Trajectory Angle 24°					
		0.47"		0.51"		0.55"		0.59"		0.63"		0.67"		0.71"		0.75"		0.79"	
Pressure Presión Druck Pressione Pressão	Nozzle / Boquilla Düse / Boccaglio Bocal / Buse	Flow Caudal Durchfluss Portata Vazão Débit	Throw Alcance Wurfweite Gittata Alcance Portée	Flow Caudal Durchfluss Portata Vazão Débit	Throw Alcance Wurfweite Gittata Alcance Portée	Flow Caudal Durchfluss Portata Vazão Débit	Throw Alcance Wurfweite Gittata Alcance Portée	Flow Caudal Durchfluss Portata Vazão Débit	Throw Alcance Wurfweite Gittata Alcance Portée	Flow Caudal Durchfluss Portata Vazão Débit	Throw Alcance Wurfweite Gittata Alcance Portée	Flow Caudal Durchfluss Portata Vazão Débit	Throw Alcance Wurfweite Gittata Alcance Portée	Flow Caudal Durchfluss Portata Vazão Débit	Throw Alcance Wurfweite Gittata Alcance Portée	Flow Caudal Durchfluss Portata Vazão Débit	Throw Alcance Wurfweite Gittata Alcance Portée	Flow Caudal Durchfluss Portata Vazão Débit	Throw Alcance Wurfweite Gittata Alcance Portée
PSI		GPM	FT	GPM	FT	GPM	FT	GPM	FT	GPM	FT	GPM	FT	GPM	FT	GPM	FT	GPM	FT
			DIA.		DIA.		DIA.		DIA.		DIA.		DIA.		DIA.		DIA.		DIA.
30		35	161	41	169	48	176	55	184	62	192	70	193	78	195	87	197	97	198
40		40	185	47	193	55	200	63	207	71	214	81	220	90	227	101	233	112	240
50		45	205	53	212	62	219	71	226	80	233	90	241	101	249	113	258	125	266
60		50	218	58	225	67	233	77	240	87	247	99	256	111	265	124	273	137	282
70		54	226	63	234	73	242	84	250	94	258	107	267	119	276	134	285	148	294
80		57	235	67	243	78	252	89	261	101	270	114	279	128	288	143	296	158	305
90		61	243	71	252	83	262	95	271	107	281	121	290	135	299	151	307	168	316
100		64	250	75	260	87	269	100	279	113	289	128	298	143	307	160	316	177	325
110		67	256	79	266	91	276	105	285	118	295	134	304	150	313	167	323	186	332

P.S. The performance data were obtained under ideal testing conditions and may be adversely affected by wind and other factors. Pressure refers to pressure at nozzle. A lowered trajectory angle improves the irrigation efficiency in windy conditions. For every 3° drop of the trajectory angle the throw is reduced by approx. 3 to 4%.

To determine the throw data of above model used with an 18° trajectory angle and installed at the end of a pivot, apply a factor 0.82 to the throw data shown in above performance table.

Cal-West Rain, Inc.

20935 Stockdale Highway, Bakersfield, CA 93314

Tel: 661-589-8800 • www.calwestrain.com

Version: 10/4/24

